

# Masport®

## BARBECUE RANGE

### SUPER GRANDE-RB/W 210 + 3 Piece BBQ Set

Part Number 552771

Dimensions	Width	1600mm
	Depth	600mm
	Height	1250mm

Market Introduced - August 2013

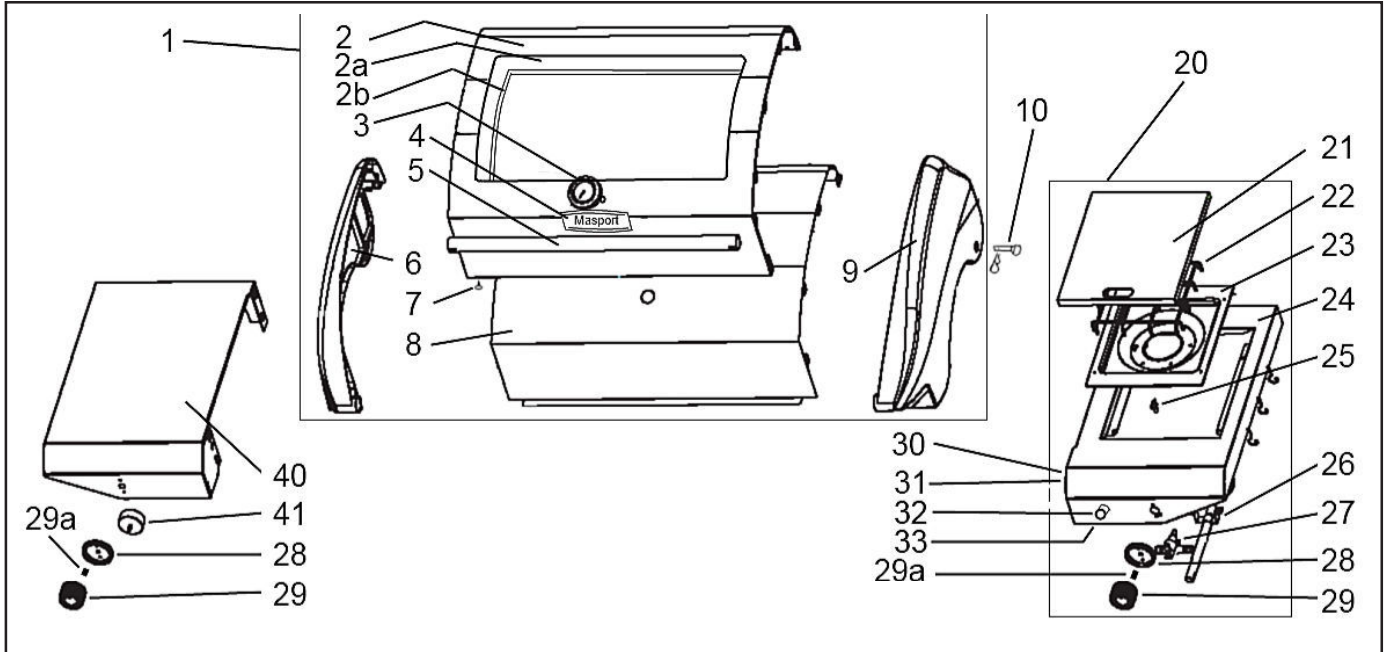




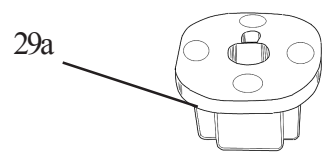
**SUPER GRANDE-RB/W 210  
+ 3 Piece BBQ Set**

# Masport

Issue A.2  
Dec 2013 PB  
REF # 752771



Item No	Part No	Description	Qty	Item No	Part No	Description	Qty
1	559643	Hood Assembly Comp/Win Svl/SS	1	40	559348	Table- Side, LH (Timer) S/S	1
2	559726	*Outer Panel - Window Hood	1	41	559342	Timer	1
2a	559644	*Glass - Window, Hood	1	28	559339	Bezel- Control Knob	1
2b	559645	*Seal - Window, Hood	1	29	559341	<b>Knob-Control,Main Zinc Alloy</b>	1
3	559757	*Temperature Gauge	1	29a	559778	*Insert- Knob, 6.3mm Stem	1
4	559229	*Badge- MASPORT	1				
5	559371	*Handle- Hood	1	29a	559778	*Insert- Knob, 6.3mm Stem	1
6	559364	*Panel- Side, Hood LH Silver	1				
7	559175	*Rubber Stopper	2				
8	559727	*Inner Panel-Window Hood	1				
9	559366	*Panel- Side, Hood RH Silver	1				
10	559638	Pin- Hinge & "R" Clip	2				
20	547109	<b>Table-Side,RH(+RBM)Assy S/S SS</b>	1				
21	559238	*Lid- S/B, 280x346 S/S	1				
22	559236	*Grill- Side Burner	1				
23	559360	*Insert- Side Burner	1				
24	547107	*Table- Side, RH (S/B+RBM) SS	1				
25	559290	*Electrode- Ignition, S/B	1				
26	559237	*Burner-Side	1				
27	559235	*Valve-Side burner	1				
28	559339	*Bezel- Control Knob	1				
29	559341	*Knob-Control,Main Zinc Alloy	1				
29a	559778	*Insert- Knob, 6.3mm Stem	1				
30	559791	*Hose-Side Burner, 500mm	1				
31	559332	*Regulator & Hose (POL)	1				
32	547105	*Module- Ignition, RB	1				
33	548000	*Wire- Ignition, R/B 1255mm	1				



Spares Note.  
Insert 559778 can be used in knobs 559340 & 559341  
Correct rotation is important prior to the assembly.

Note,  
The "Rear Burner Ignition" has been removed from the rear burner knob to the RH Side Table and a Module- Ignition fitted. For owners of this BBQ who wish to upgrade at their cost, a KIT consisting of the RH Side Table only and a Module- Ignition is available (Subject to stock).

**547123 KIT-REAR BURNER ELEC/IGN S/S**

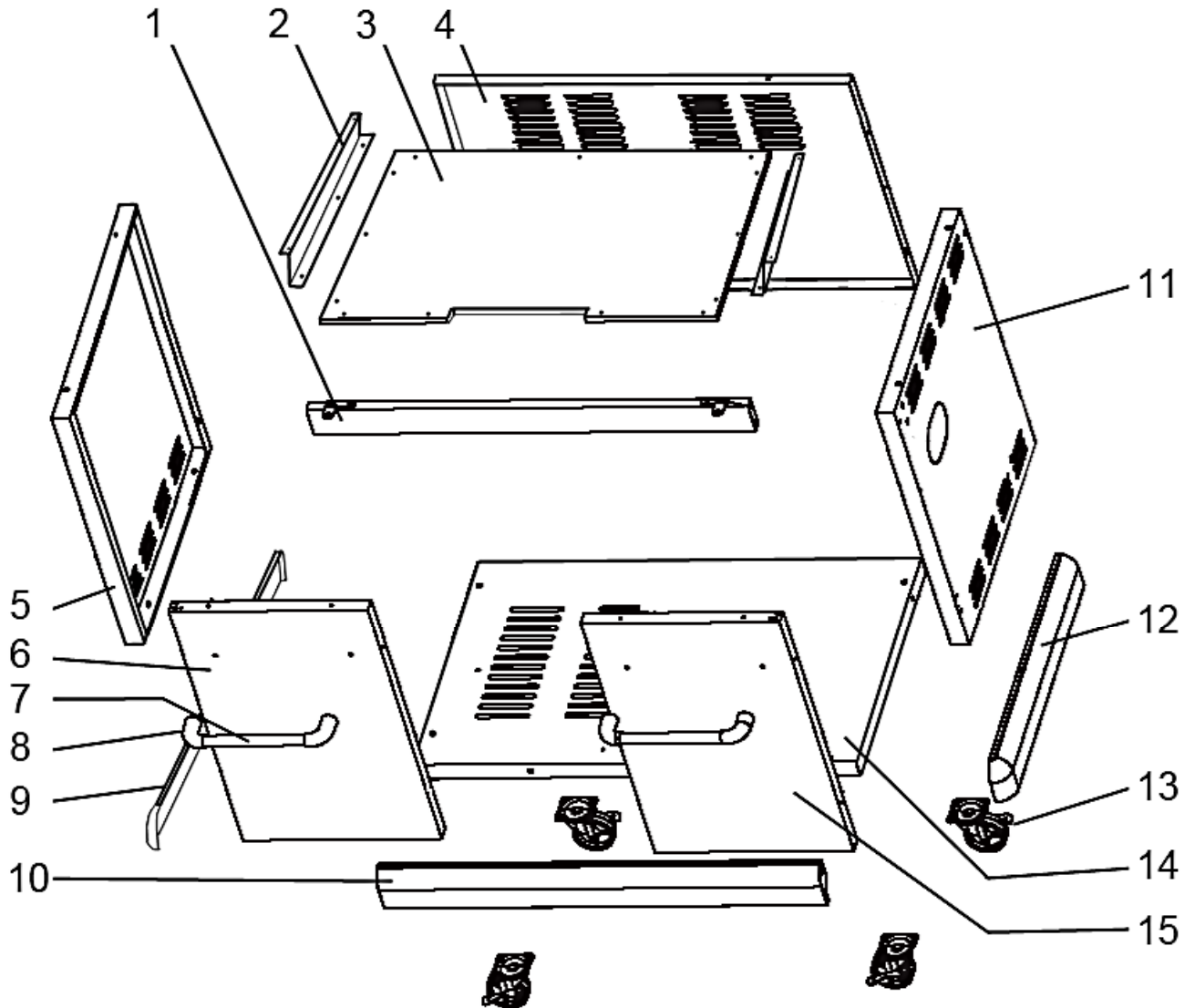
This conversion requires an authorised person.



**SUPER GRANDE-RB/W 210  
+ 3 Piece BBQ Set**

# Masport

Issue A.2  
Dec 2013 PB  
REF # 752771



Item No	Part No	Description	Qty	Item No	Part No	Description	Qty
1	559329	Panel- Top, Front SS	1	9	559321	Apron, LH SS	1
2	559723	Panel- Top, Side Trolley SS	2	10	559320	Apron- Front SS	1
3	559722	Panel- Top, Trolley SS	1	11	559328	Panel- Side, RH SS	1
4	559358	Panel- Back SS	1	12	559322	Apron, RH SS	1
5	559326	Panel- Side, LH SS	1	13	559225	Castor- Locking, Plate Mount	4
6	559454	Door Assy LH-Inner(Svr)&Outer SS	1	14	559324	Panel- Bottom, Trolley SS	1
7	559334	Handle- Door, Tube insert	2	15	559455	Door Assy RH-Inner(Svr)&Outer SS	1
8	559206	Bracket- Handle, Door	4				

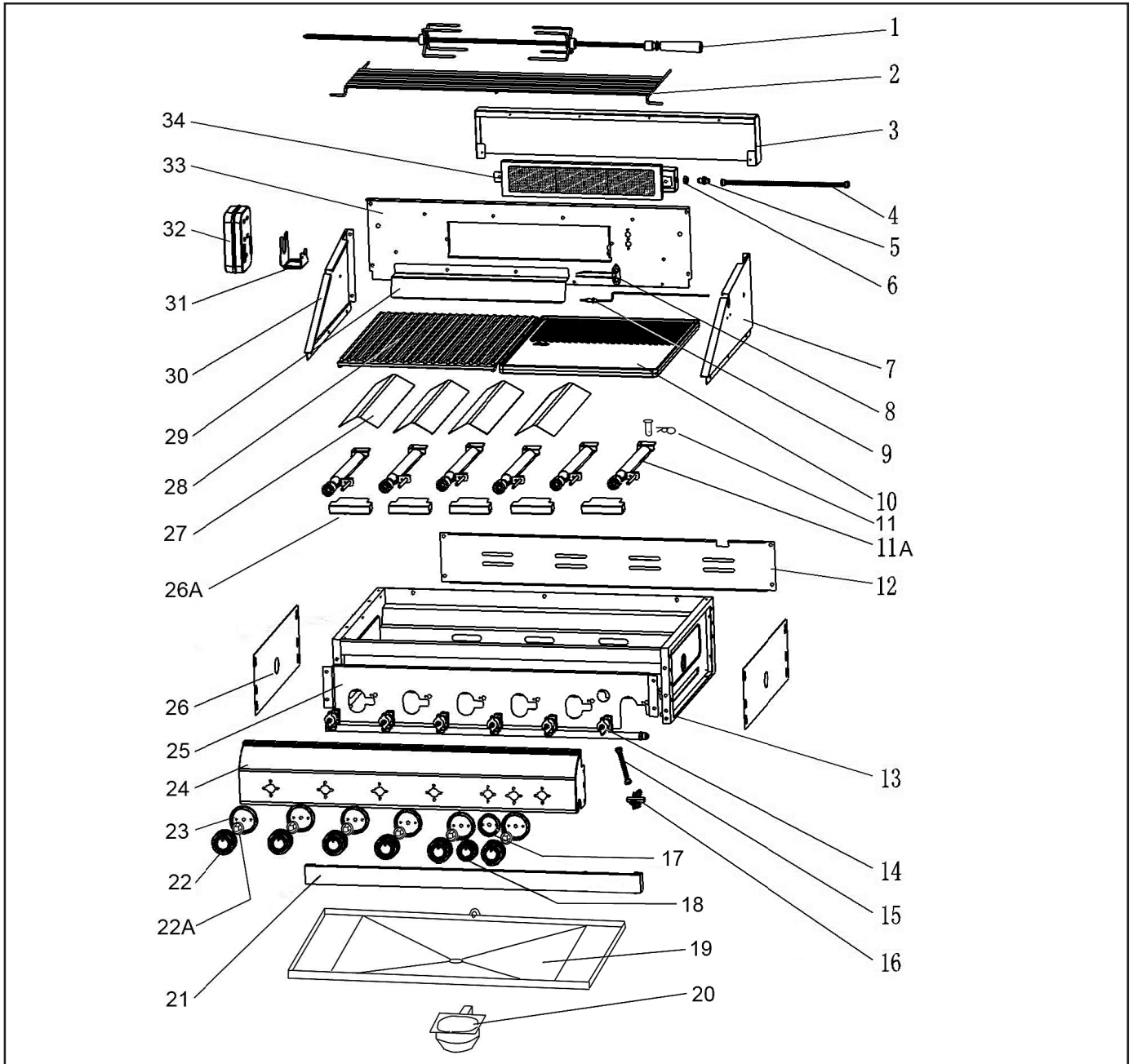
When ordering PLEASE QUOTE PART NUMBER & Description, NOT Illustration No.  
Determine right or left hand side from standing in operating position



**SUPER GRANDE-RB/W 210  
+ 3 Piece BBQ Set**

# Masport

Issue A.2  
Dec 2013 PB  
REF # 752771



Item No	Part No	Description	Qty	Item No	Part No	Description	Qty
1	559218	Rotisserie Rod Assy (Includes Items 1, 31, 32)	1	11A	759345	Burner- Tube (Two Pack)	3
2	559564	Rack- Warming, RB (Narrow) (Can use deeper rack option 559500)	1	12	559582	Panel- Rear, Vented SS	1
3	559515	Panel-Cover, R/B SS	1	13	559514	Grill Body, Assy P/E	1
4	559573	Pipe-Flexible, R/B	1	14	559355	Valve- Main (Includes Seal 559779)	6
5	559574	Jet, RB 0.91mm	1	15	559579	Pipe-Flexible, Front R/B Valve	1
6	559575	Nut-Jet Retainer, R/B	1	16	547111	Valve-Rear Burner (ELE IGN)	1
7	559458	Panel- Side, RH SS Hood G/Body	1	17	559566	Bezel-Control Knob, Sml	1
8	559576	Ignitor, R/B	1	18	559565	Knob-Control, Sml S/Grp S/Blk	1
9	559577	Thermocouple, R/B	1	19	559499	Tray - Drip, 790 x 430 W/Handle	1
10	559641	Plate-C/I 390x485 P/E Matt	1	20	559242	Cup - Grease	1
11	559015	Pin & "R" Clip	6				

When ordering PLEASE QUOTE PART NUMBER & Description, NOT Illustration No.  
Determine right or left hand side from standing in operating position



**SUPER GRANDE-RB/W 210  
+ 3 Piece BBQ Set**

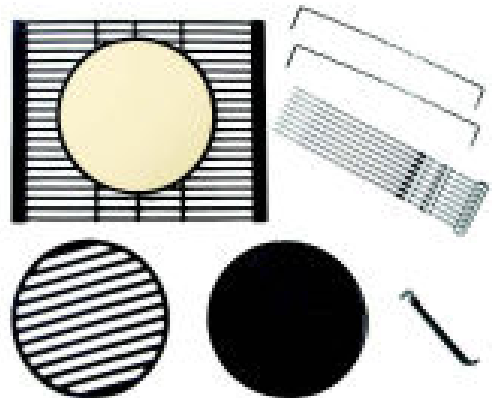
# Masport

Issue A.2  
Dec 2013 PB  
REF # 752771

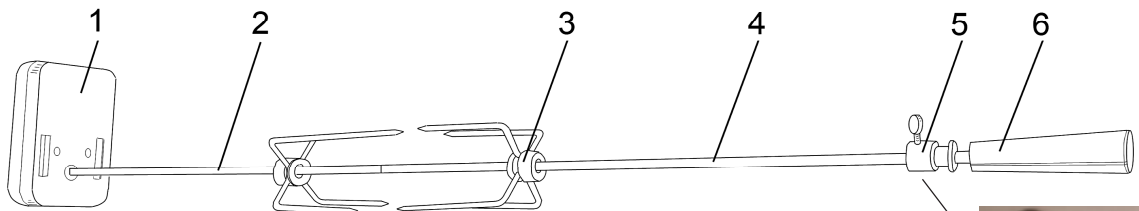
Item No	Part No	Description	Qty	Item No	Part No	Description	Qty
21	559336	Panel - Front, Grill SS	1	<b>NOT ILLUSTRATED</b>			
22	559341	Knob- Control, Main Zinc Alloy	6				
22a	559778	*Insert- Knob, 6.3mm Stem	6				
23	559339	Bezel- Control Knob	6				
24	559717	Dashboard BBQ Super Grande	1				
25	559580	Panel- H/shield, Front RB G/Bdy	1				
26	559353	Panel- Heatshield, Side	2				
26A	559583	Cross Light S/S	5				
27	559569	Flame Tamer, 97x410 SS	4				
28	552772	Interchangable Cooking System	1				
29	559570	Deflector-Front, R/B S/S	1				
30	559456	Panel- Side, LH SS Hood G/Body	1				
31	559494	Bracket- Rotisserie S/S	1				
32	559239	Motor- Rotisserie	1				
33	559581	Panel-Rear, R/BNR G/Body SS	1	547098	Wire- Ignition, M/B 215mm	6	
34	559508	Burner-Rear	1	559289	Electrode- Ignition, M/B	6	
				559779	Seal- Valve, Silicon	7	
				551668	3 Piece BBQ Set	1	
				547112	Manifold Assy(Elec RB) 6+R/BNR	1	
				559745	Cover- BBQ	1	
				558782	BBQ Cookery Book	1	
				559802	Owner's Manual 2013	1	
				559571	Weight-Bottom Panel	1	
				559496	Bolt Pack SS	1	

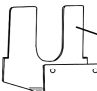
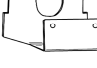
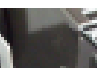



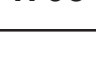
**(28) 552772 Interchangable Cooking System**

555231	Kebab Rack (each)	2
559760	Grill (390 x 485)	1
559761	Kebab Skewers	8
559762	Pizza Stone	1
559766	Grill Insert	1
559767	Plate Insert (Cast Iron)	1
559768	Handle- Grill Insert	1



**559218 Rotisserie Set 210 Series**



	1	559239	Motor- Rotisserie	1
	2	559223	Rod Only-Motor Side(550mm)	1
	3	556297	Prongs	2
	4	559224	Rod Only-Handle Side(400mm)	1
	5	559497	Alignment Collar & Screw	1
	6	559769	Handle (6mm thread)	1
	7	559494	Bracket- Rotisserie	1



**AVAILABLE OPTION**

**547054 KIT-Conversion, Natural Gas 210 Series**